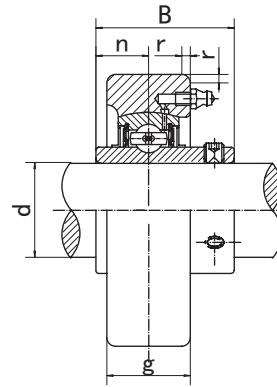
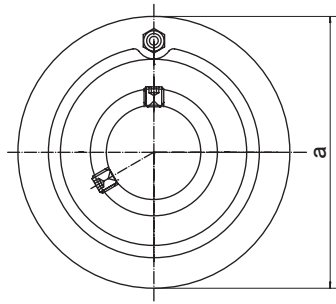


Cartridge Units

UCC3 (Heavy-duty)



Unit NO.	Dimensions (mm / in.)						Bearing No.	Housing No.	Weight (kg)
	d	a	g	r	B	n			
UCC305 305-13 305-14 305-15 305-16	25 13/16 7/8 15/16 1	90 3.5433	26 1-1/32	2.5 0.098	38 1.4961	15 0.591	UC305 UC305-13 UC305-14 UC305-15 UC305-16	C305	0.93 0.98 0.96 0.94 0.93
UCC306 306-17 306-18 306-19	30 1-1/16 1-1/8 1-3/16	100 3.9370	28 1-7/64	2.5 0.098	43 1.6929	17 0.669	UC306 UC306-17 UC306-18 UC306-19	C306	1.28 1.33 1.30 1.28
UCC307 307-20 307-21 307-22 307-23	35 1-1/4 1-5/16 1-3/8 1-7/16	110 4.3307	32 1-17/64	3 0.118	48 1.8897	19 0.748	UC307 UC307-20 UC307-21 UC307-22 UC307-23	C307	1.67 1.73 1.70 1.67 1.64
UCC308 308-24 308-25	40 1-1/2 1-9/16	120 4.7244	34 1-11/32	3 0.118	52 2.0472	19 0.748	UC308 UC308-24 UC308-25	C308	2.11 2.16 2.12
UCC309 309-26 309-27 309-28	45 1-5/8 1-11/16 1-3/4	130 2.1181	38 1-1/2	3.5 0.138	57 2.441	22 0.866	UC309 UC309-26 UC309-27 UC309-28	C309	2.71 2.80 2.76 2.71
UCC310 310-29 310-30 310-31	50 1-13/16 1-7/8 1-15/16	140 5.5118	40 1-37/64	3.5 0.138	61 2.4015	22 0.866	UC310 UC310-29 UC310-30 UC310-31	C310	3.27 3.61 3.36 3.30
UCC311 311-32 311-33 311-34 311-35	55 2 2-1/16 2-1/8 2-3/16	150 5.9055	44 1-47/64	3.5 0.138	66 2.5984	25 0.984	UC311 UC311-32 UC311-33 UC311-34 UC311-35	C311	4.01 4.19 4.12 4.06 3.98
UCC312 312-36 312-37 312-38 312-39	60 2-1/4 2-5/16 2-3/8 2-7/16	160 6.2992	46 1-13/16	3.5 0.138	71 2.7953	26 1.024	UC312 UC312-36 UC312-37 UC312-38 UC312-39	C312	4.78 4.93 4.85 4.76 4.68
UCC313 313-40 313-41	65 2-1/2 2-9/16	170 6.6929	50 1-31/32	3.5 0.138	75 2.9528	30 1.181	UC313 UC313-40 UC313-41	C313	5.71 5.80 5.70
UCC314 314-42 314-43 314-44	70 2-5/8 2-11/16 2-3/4	180 7.0866	52 2-3/64	4 0.157	78 3.0709	33 1.299	UC314 UC314-42 UC314-43 UC314-44	C314	6.61 6.83 6.72 6.62
UCC315 315-45 315-46 315-47 315-48	75 2-13/16 2-7/8 2-15/16 3	190 7.4803	55 2-11/64	4 0.157	82 3.2288	32 1.26	UC315 UC315-45 UC315-46 UC315-47 UC315-48	C315	7.68 7.95 7.81 7.72 7.59
UCC316 316-49 316-50 316-51	80 3-1/16 3-1/8 3-3/16	200 7.8740	60 2-23/64	4 0.157	86 3.3858	34 1.339	UC316 UC316-49 UC316-50 UC316-51	C316	8.95 9.12 8.98 8.89
UCC317 317-52 317-53 317-55	85 3-1/4 3-5/16 3-7/16	215 8.4646	64 2-33/64	4 0.157	96 3.7795	40 1.575	UC317 UC317-52 UC317-53 UC317-55	C317	11.26 11.48 11.45 11.23
UCC318 318-55 318-56	90 3-7/16 3-1/2	225 8.8583	66 2-19/32	4 0.157	96 3.7795	40 1.575	UC318 UC318-55 UC318-56	C318	12.52 12.81 12.63
UCC319 319-58 319-59 317-60	95 3-5/8 3-11/16 3-3/4	240 9.4488	72 2-53/64	4 0.157	103 4.0551	41 1.614	UC319 UC319-58 UC319-59 UC317-60	C319	15.00 15.33 15.15 14.96
UCC320 320-64	100 4	260 10.2362	75 2-61/64	4 0.157	108 4.2519	42 1.645	UC320 UC320-64	C320	19.60 19.40
UCC322	110	300 11.8110	80 3-5/32	5 0.197	117 4.6063	46 1.811	UC322	C322	29.20
UCC324	120	320 12.5984	90 3-35/64	5 0.197	126 4.9606	51 2.008	UC324	C324	35.90
UCC326	130	340 13.3858	100 3-15/16	5 0.197	135 5.3150	54 2.126	UC326	C326	43.00
UCC328	140	360 14.1732	100 3-15/16	5 0.197	145 5.7086	59 3.323	UC328	C328	52.90